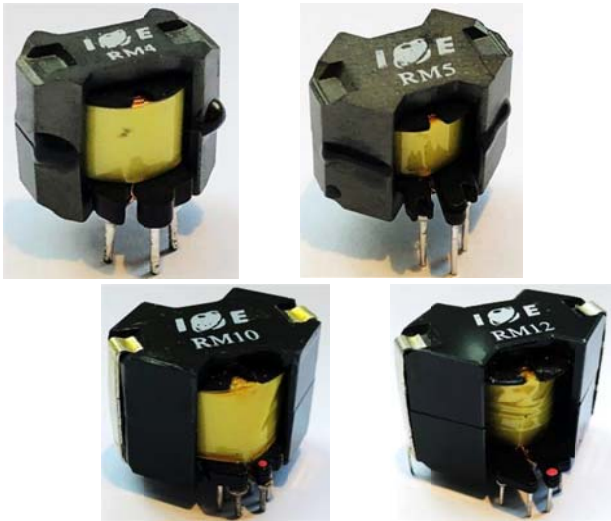


High Frequency Transformer - RM Series

INTER OUTSTANDING ELECTRONICS



Features:

- Operating frequency: 20kHz ~ 500kHz
- Output power: 15W ~ 200W
- Operating temperature: -25°C to +125°C
- Storage temperature: -25°C to +85°C
- RoHS compliant
- Can be customized under customer's request

Applications:

- Switching mode power supply
- Industrial Equipment

Models:

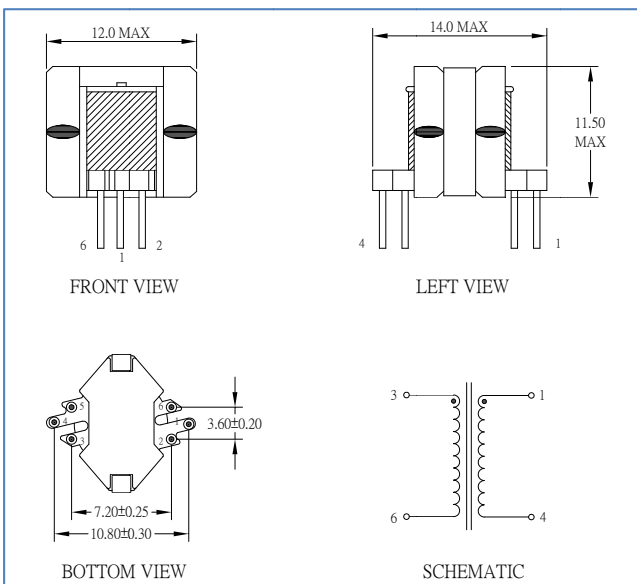
Part Number	Type	Pins
RM4	DIP	6
RM5	DIP	6
RM6	DIP	8
RM8	DIP	12
RM10	DIP	12
RM12	DIP	12

Type: Please refer to Mechanical Details.

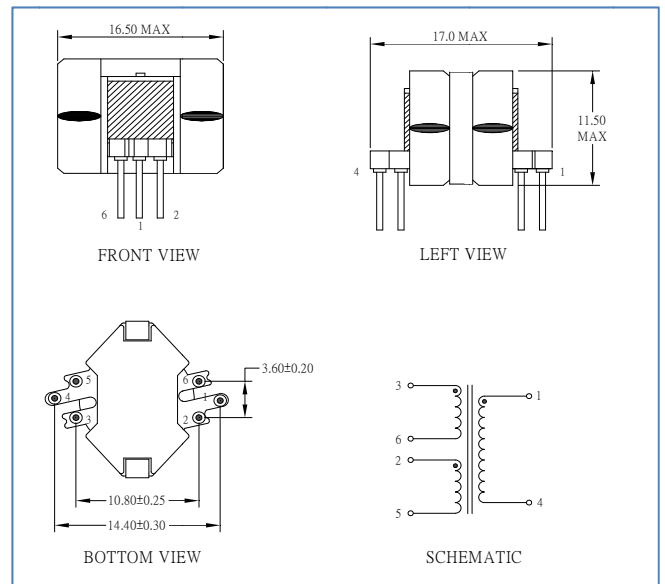
Can be customized base on materials acquired.

Mechanical Details:

RM4



RM5



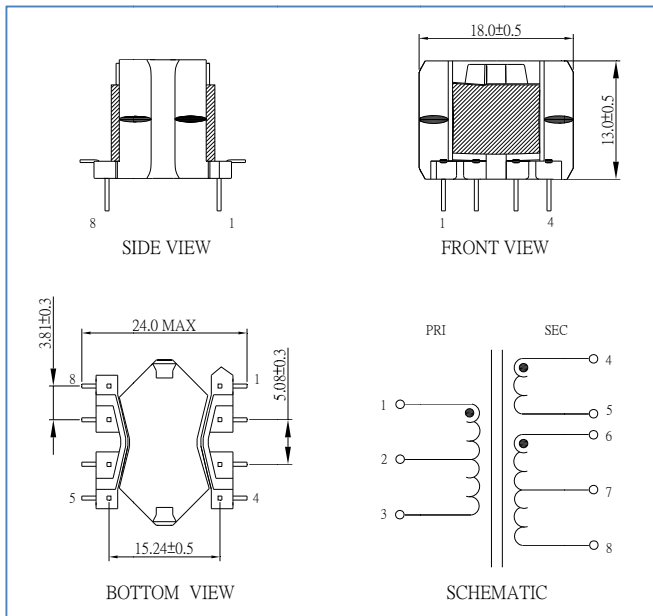
These data are for models selection. For detail specifications and customized requirement, please contact IOE

High Frequency Transformer - RM Series

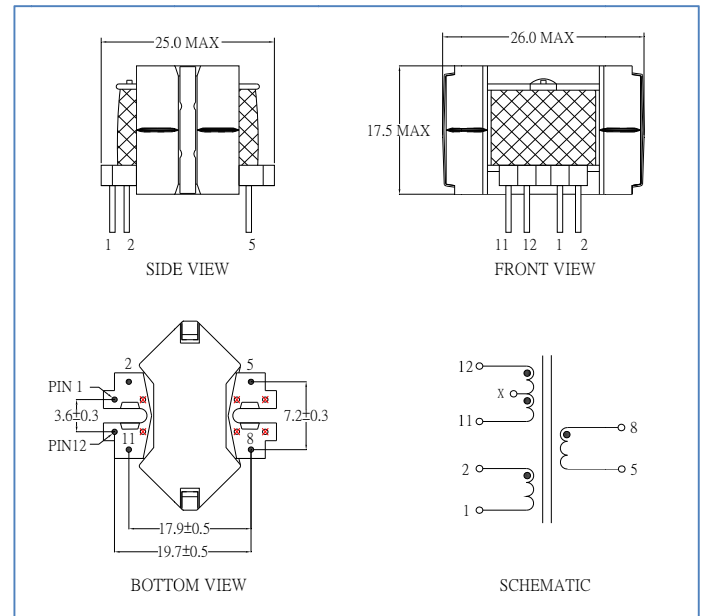


INTER OUTSTANDING ELECTRONICS

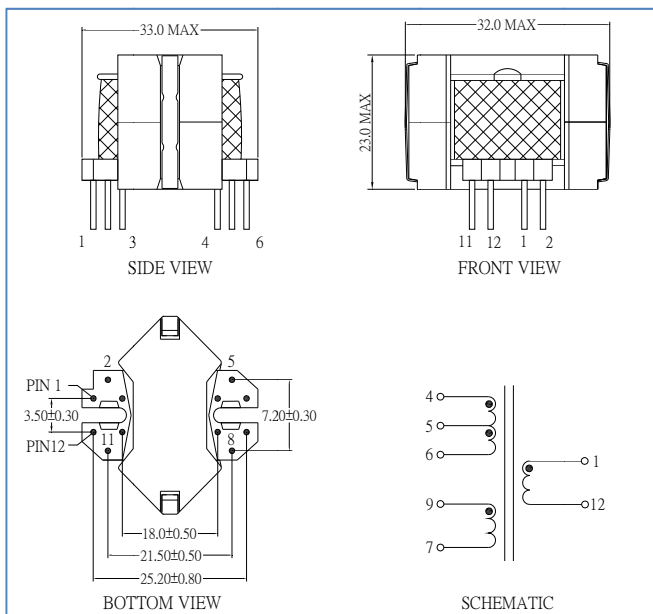
RM6



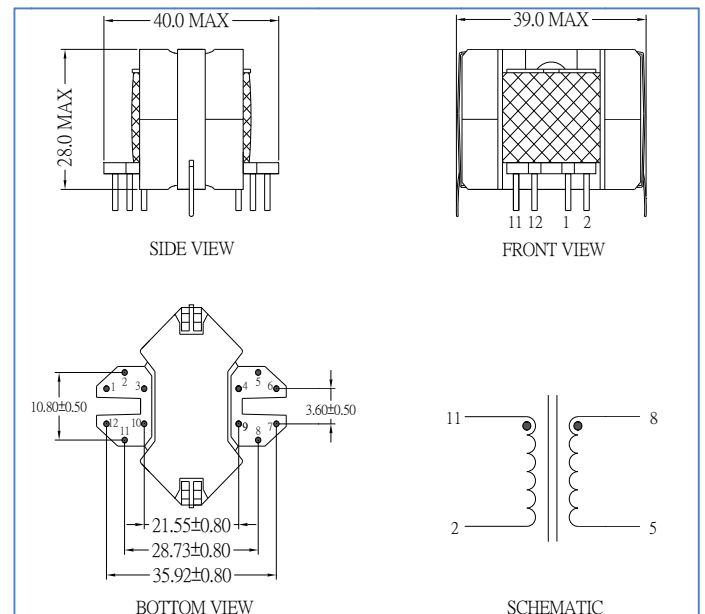
RM8



RM10



RM12



Electronic characteristics can be designed per customer's request.

These data are for models selection. For detail specifications and customized requirement, please contact IOE