

High Frequency Transformer - EP Series

INTER OUTSTANDING ELECTRONICS



Features:

- Operating frequency: 20kHz ~ 500kHz
- Output power: 5W ~ 50W
- Operating temperature: -25°C to +125°C
- Storage temperature: -25°C to +85°C
- RoHS compliant
- Can be customized under customer's request

Models:

Part Number	Type	Pins
EP7	DIP	6
EP7	SMD	6
EP10	DIP	8
EP10	SMD	8
EP13	DIP	8
EP13	SMD	10
EP17	DIP	8

Applications:

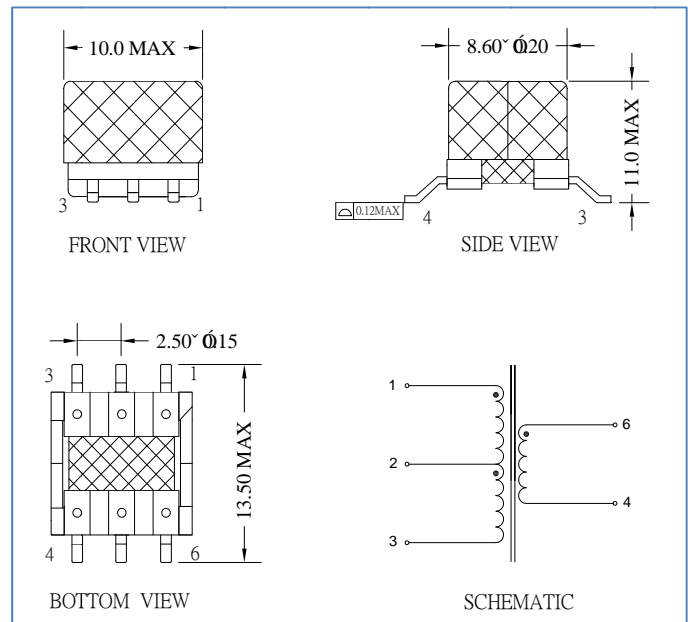
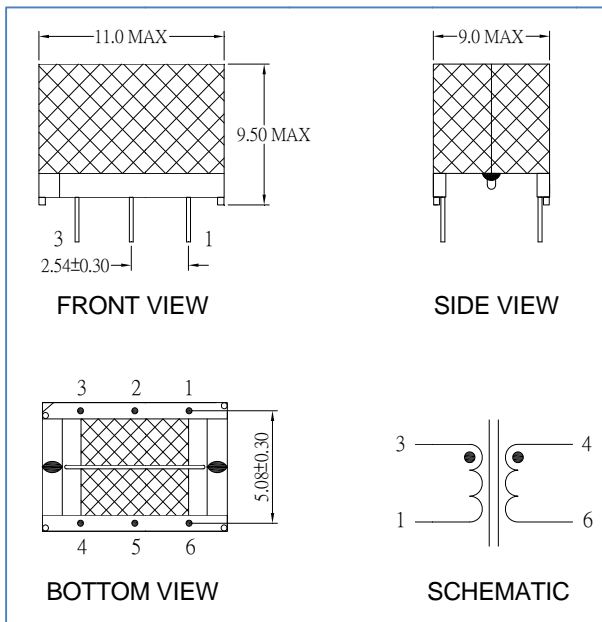
- Switching mode power supply
- Industrial Equipment
- LAN

Type: Please refer to Mechanical Details.

Can be customized base on materials acquired.

Mechanical Details:

EP7

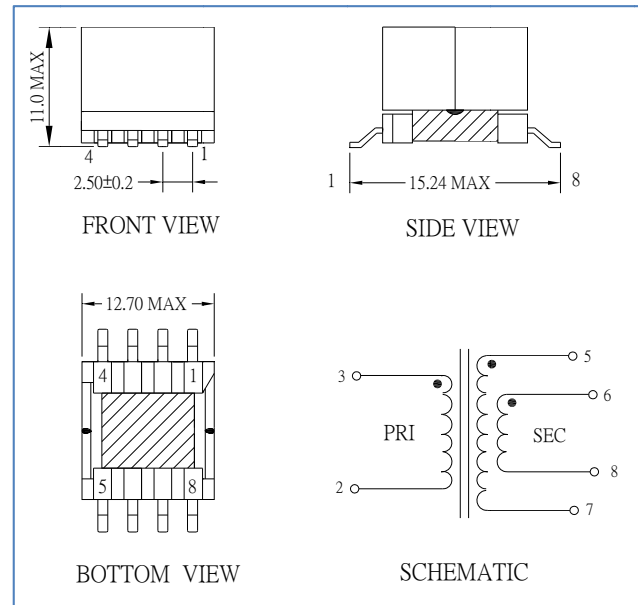
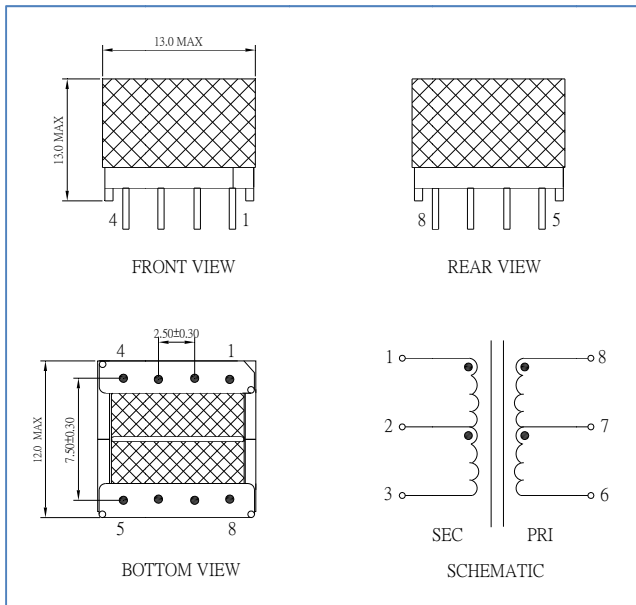


High Frequency Transformer - EP Series

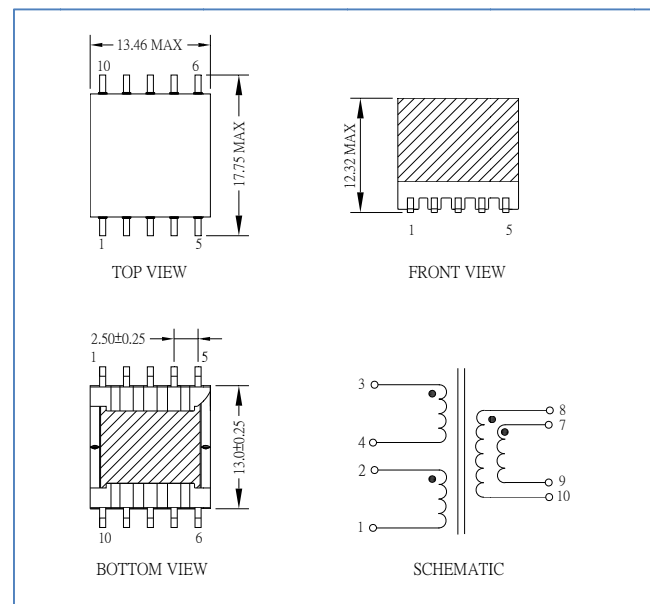
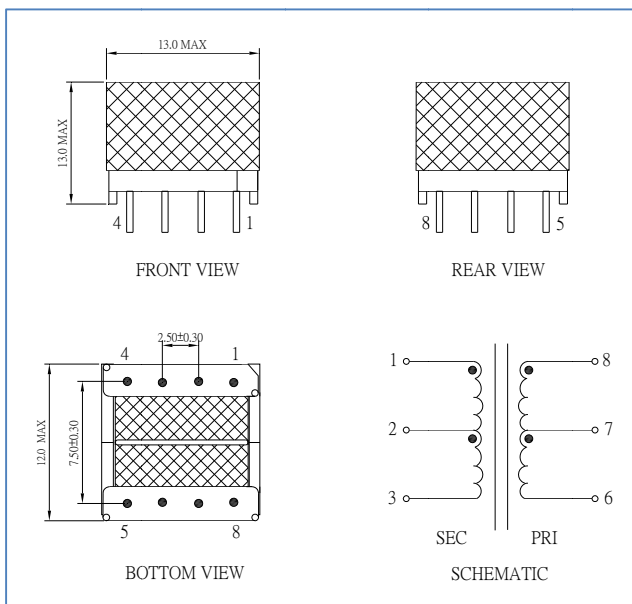


INTER OUTSTANDING ELECTRONICS

EP10



EP13



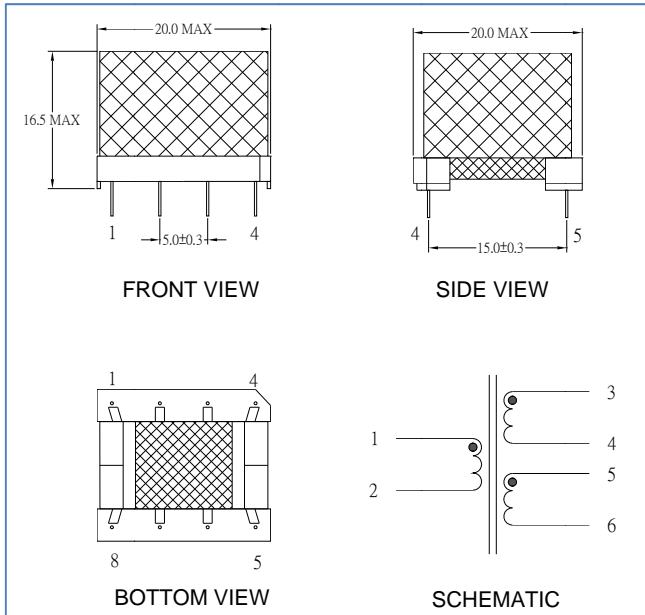
These data are for models selection. For detail specifications and customized requirement, please contact IOE

High Frequency Transformer - EP Series

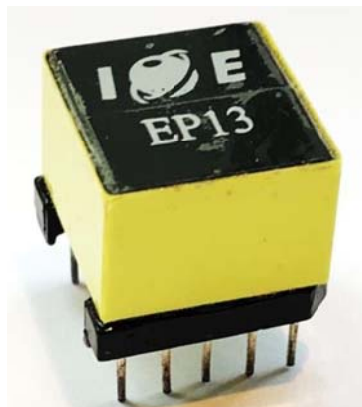
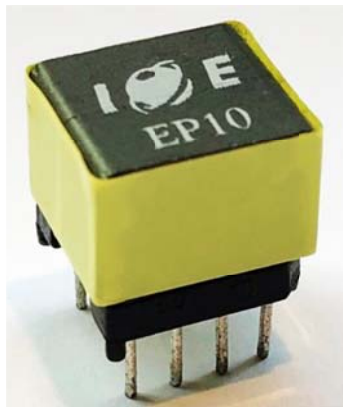


INTER OUTSTANDING ELECTRONICS

EP17



Electronic characteristics can be designed per customer's request.



These data are for models selection. For detail specifications and customized requirement, please contact IOE