

# High Frequency Transformer - EF Series

**INTER OUTSTANDING ELECTRONICS**



## Features:

- Operating frequency: 20kHz ~ 500kHz
- Output power: 10W ~ 65W
- Operating temperature: -25°C to +125°C
- Storage temperature: -25°C to +85°C
- RoHS compliant
- Can be customized under customer's request

## Applications:

- Switching mode power supply
- Industrial Equipment

## Models:

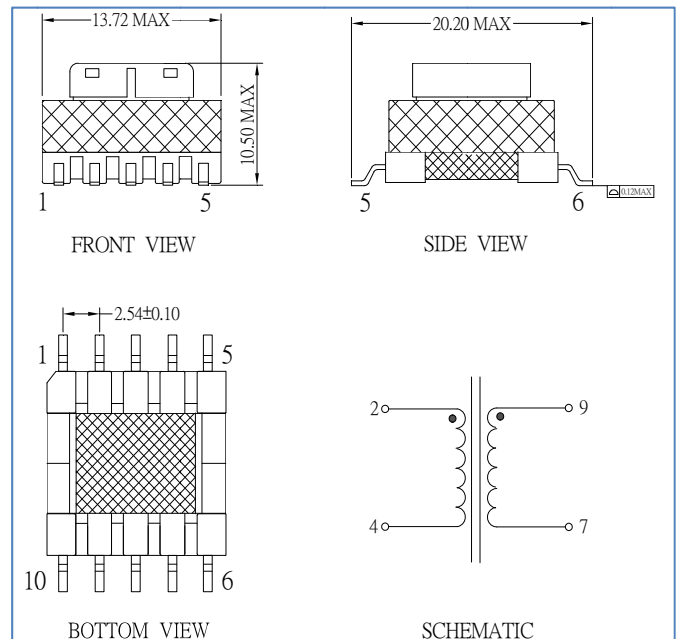
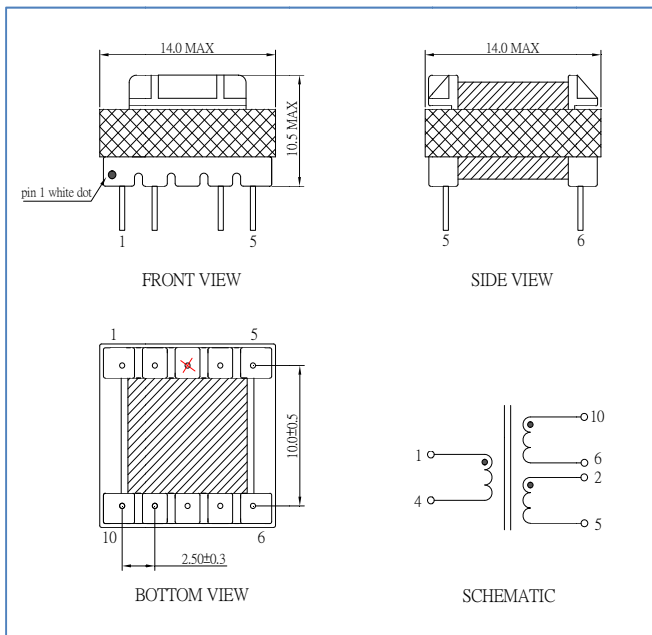
Part Number	Type	Pins
EF12.6	DIP	10
EF12.6	SMD	10
EF16	DIP	9
EF20	DIP	10
EF25	DIP	10

Type: Please refer to Mechanical Details.

Can be customized base on materials acquired.

## Mechanical Details:

### EF12.6

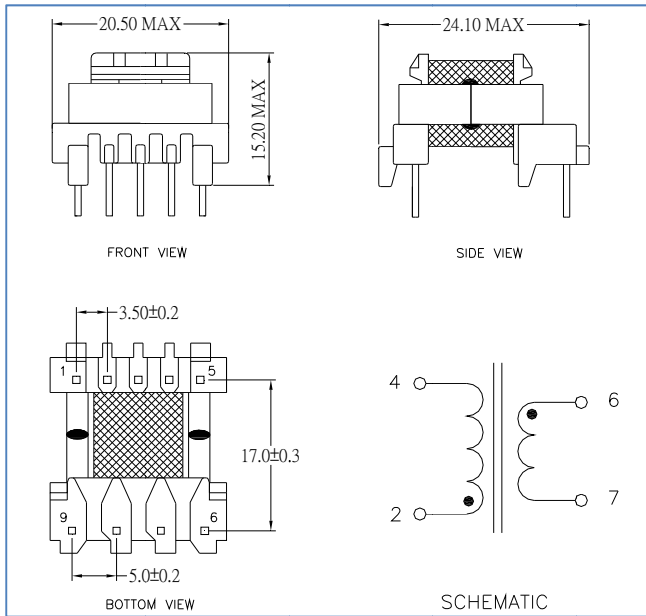


# High Frequency Transformer - EF Series

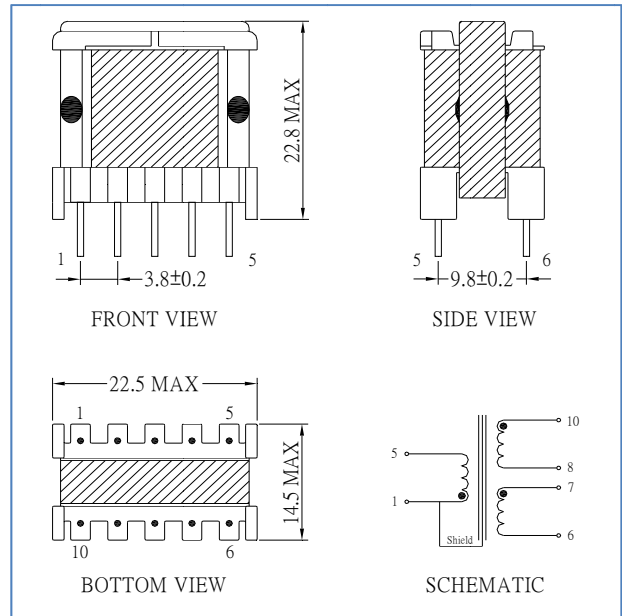


**INTER OUTSTANDING ELECTRONICS**

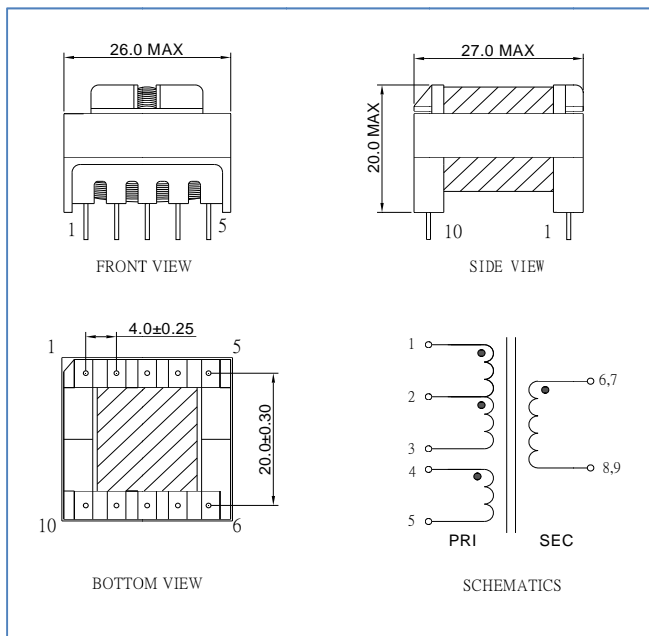
## EF16



## EF20



## EF25



*Electronic characteristics can be designed per customer's request.*

These data are for models selection. For detail specifications and customized requirement, please contact IOE