

# High Frequency Transformer - PQ Series

**INTER OUTSTANDING ELECTRONICS**



## Features:

- Operating frequency: 20kHz ~ 500kHz
- Output power: 80W ~ 300W
- Operating temperature: -25°C to +125°C
- Storage temperature: -25°C to +85°C
- RoHS compliant
- Can be customized under customer's request

## Models:

Part Number	Type	Pins
PQ20	DIP	14
PQ26	DIP	12
PQ32	DIP	12
PQ35	DIP	12
PQ40	DIP	12

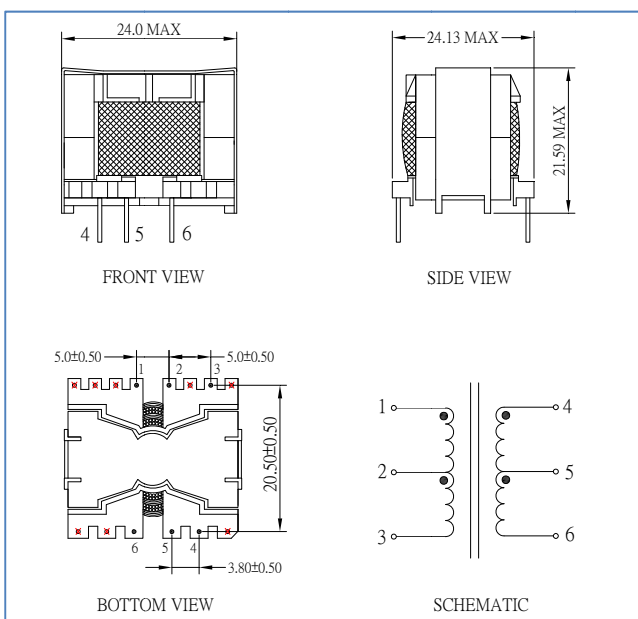
## Applications:

- Switching mode power supply
- Industrial Equipment

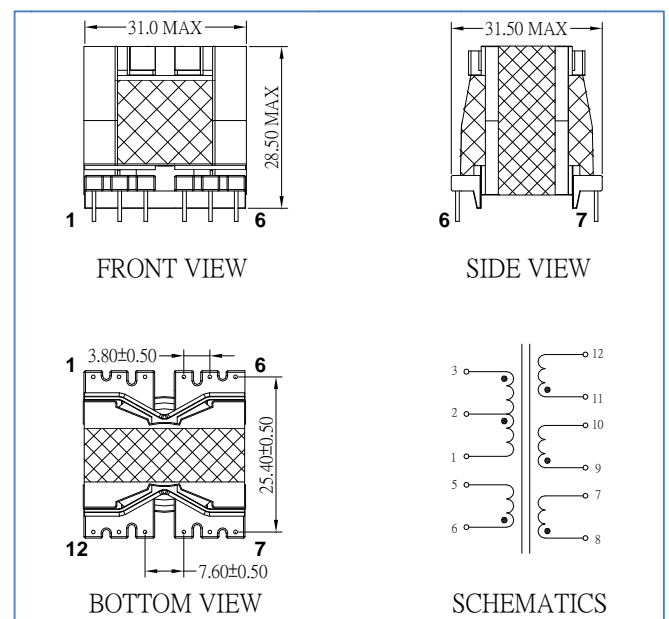
Type: Please refer to Mechanical Details.  
Can be customized base on materials acquired.

## Mechanical Details:

### PQ20



### PQ26

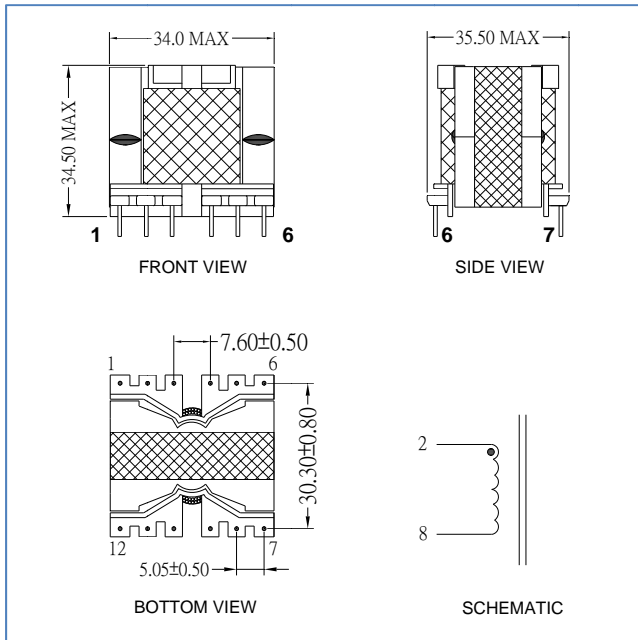


# High Frequency Transformer - PQ Series

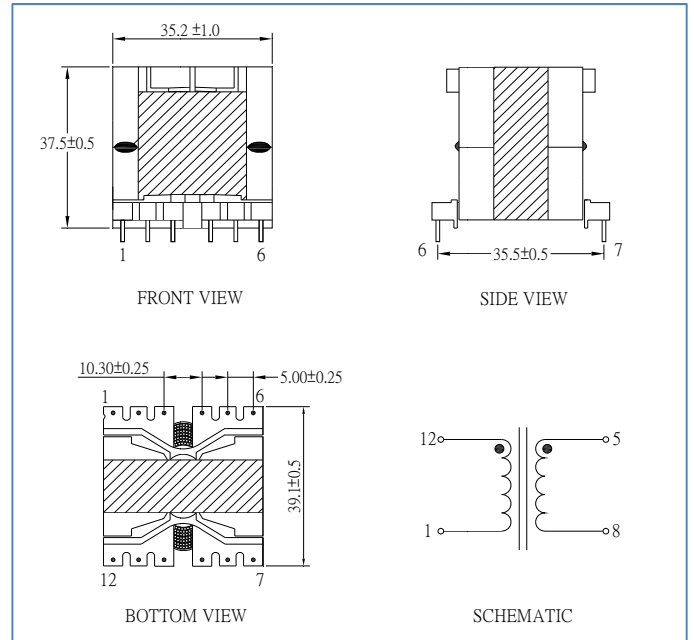


**INTER OUTSTANDING ELECTRONICS**

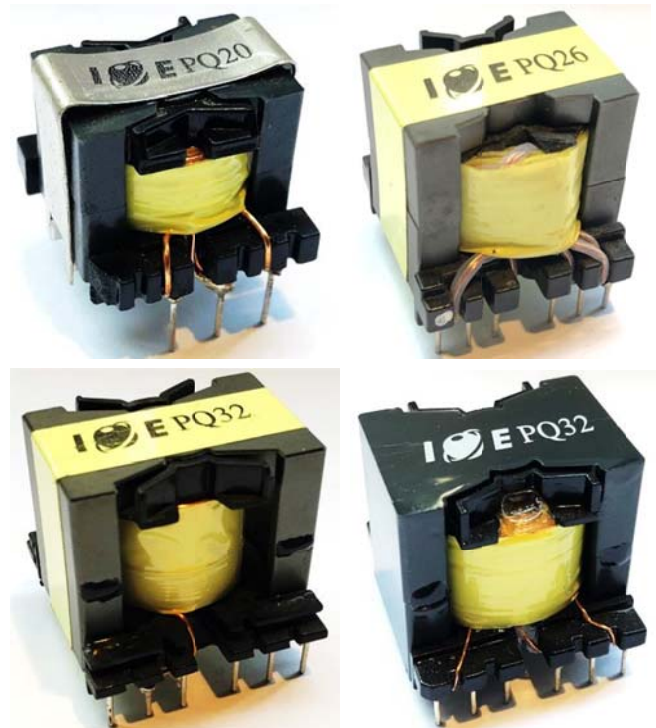
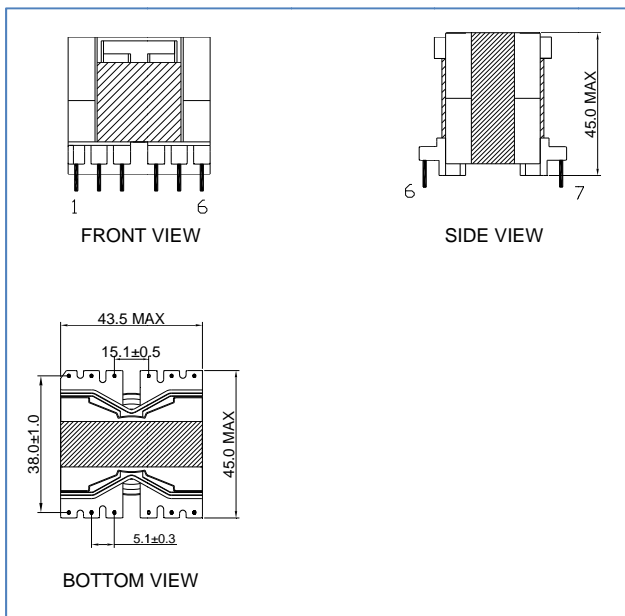
## PQ32



## PQ35



## PQ40



*Electronic characteristics can be designed per customer's request.*

These data are for models selection. For detail specifications and customized requirement, please contact IOE