

High Frequency Transformer - ER Series



INTER OUTSTANDING ELECTRONICS



Features

- Operating frequency: 20kHz ~ 500kHz
- Output power: 30W ~ 500W
- Operating temperature: -25°C to +125°C
- Storage temperature: -25°C to +85°C
- RoHS compliant
- Can be customized under customer's request

Models:

Part Number	Type	Pins
ER28	DIP	12
ER35	DIP	12
ER39	DIP/Lead	14
ER42	DIP	14

Applications:

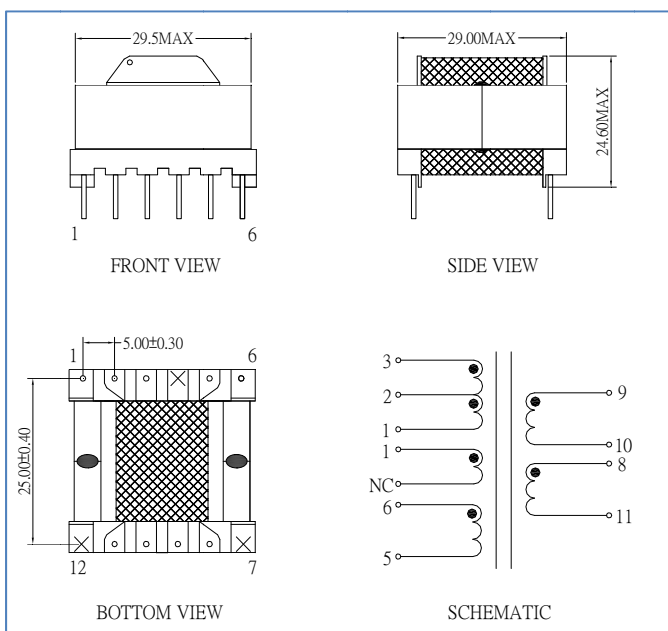
- Switching mode power supply
- Industrial Equipment

Type: Please refer to Mechanical Details.

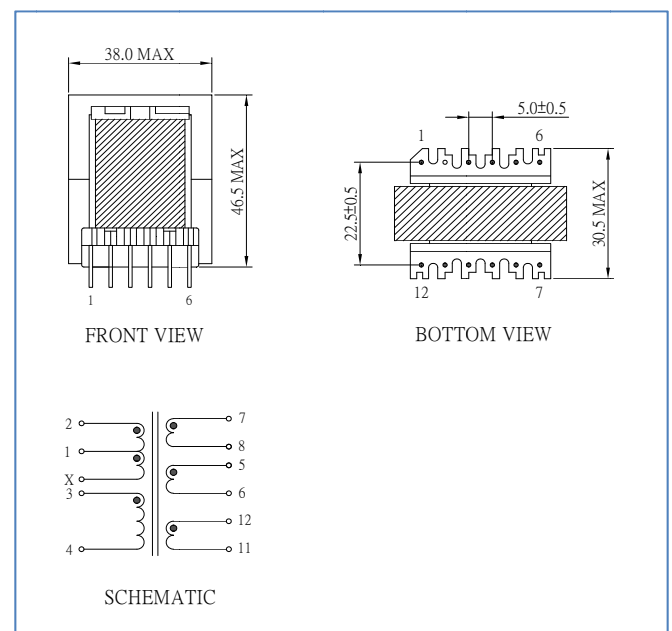
Can be customized base on materials acquired.

Mechanical Details:

ER28



ER35



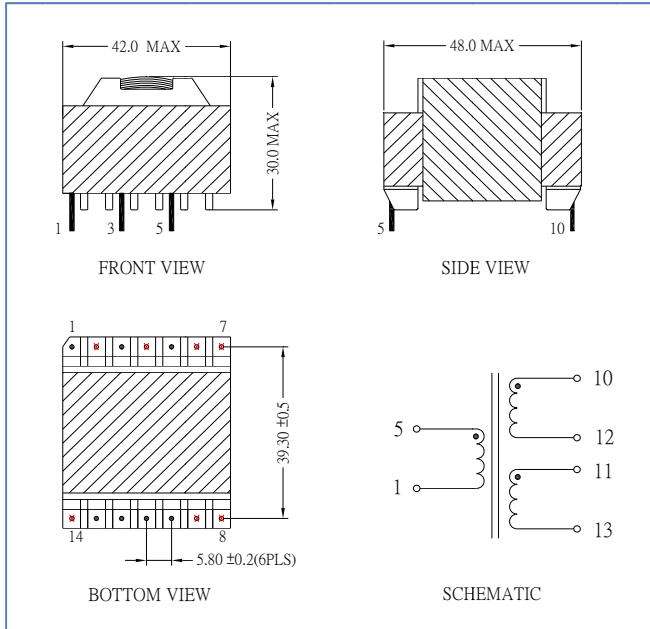
These data are for models selection. For detail specifications and customized requirement, please contact IOE

High Frequency Transformer - ER Series

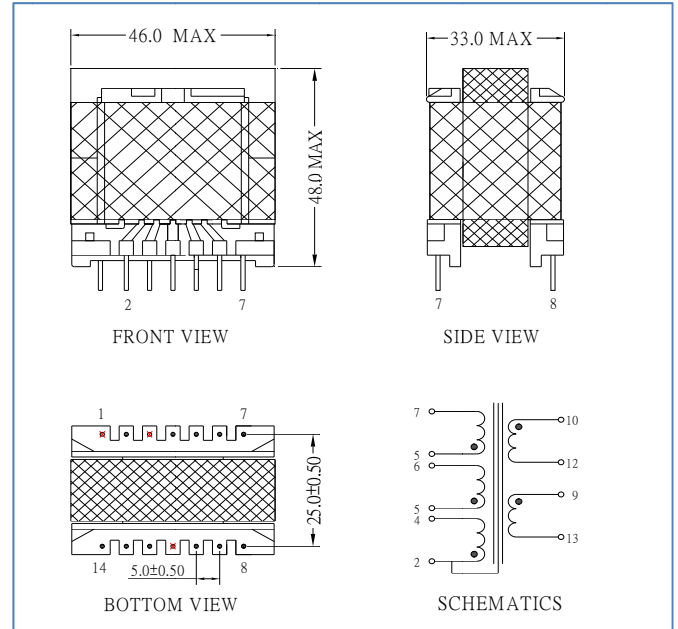


INTER OUTSTANDING ELECTRONICS

ER39



ER42



Electronic characteristics can be designed per customer's request.



These data are for models selection. For detail specifications and customized requirement, please contact IOE