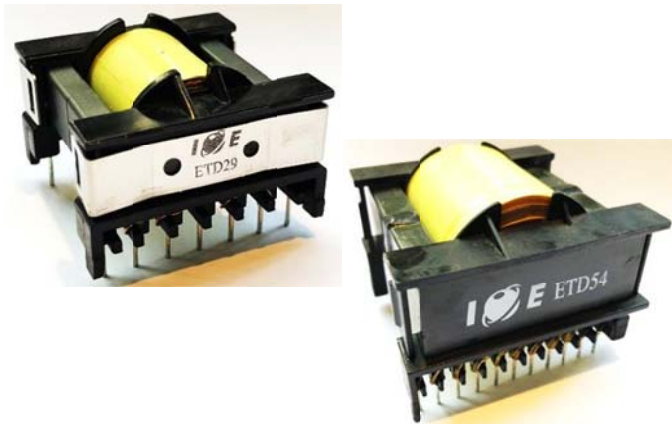


High Frequency Transformer - ETD Series



INTER OUTSTANDING ELECTRONICS



Features:

- Operating frequency: 20kHz ~ 500kHz
- Output power: 60W ~ 350W
- Operating temperature: -25°C to +125°C
- Storage temperature: -25°C to +85°C
- RoHS compliant
- Can be customized under customer's request

Models:

| Part Number | Type | Pins |
|-------------|------|------|
| ETD29 | DIP | 14 |
| ETD34 | DIP | 11 |
| ETD39 | DIP | 16 |
| ETD44 | DIP | 18 |
| ETD49 | DIP | 20 |
| ETD54 | DIP | 22 |

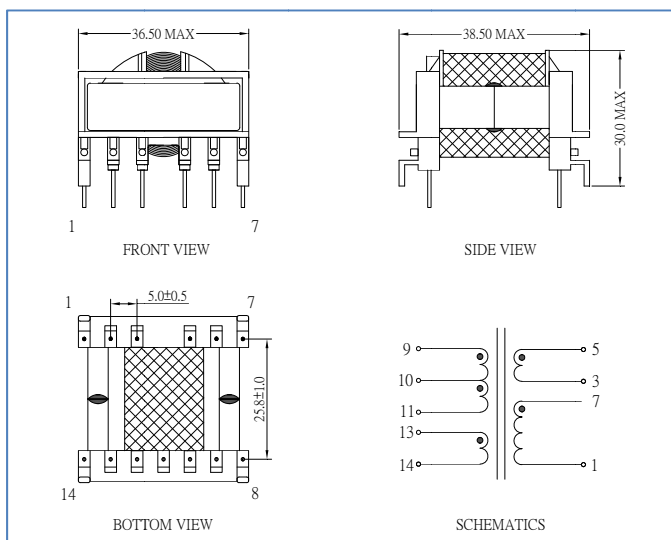
Applications:

- Switching mode power supply
- Industrial Equipment

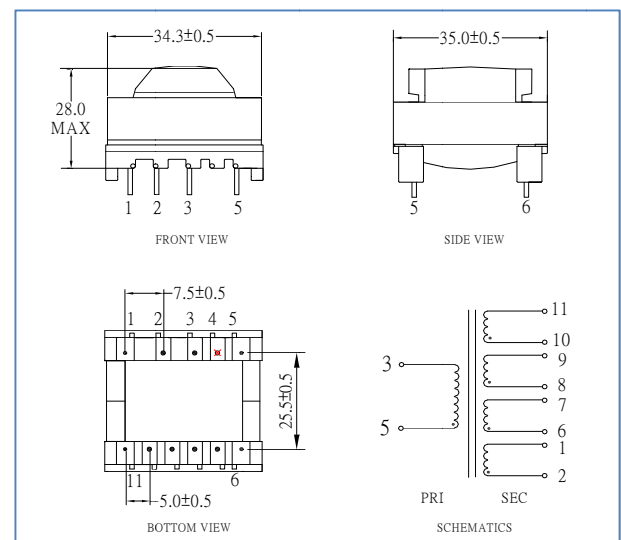
Type: Please refer to Mechanical Details.
Can be customized base on materials acquired.

Mechanical Details:

ETD29



ETD34



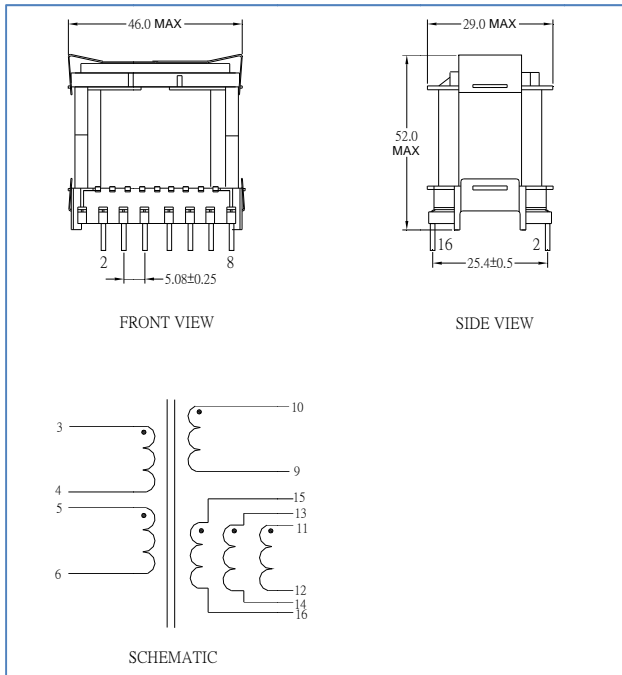
These data are for models selection. For detail specifications and customized requirement, please contact IOE

High Frequency Transformer - ETD Series

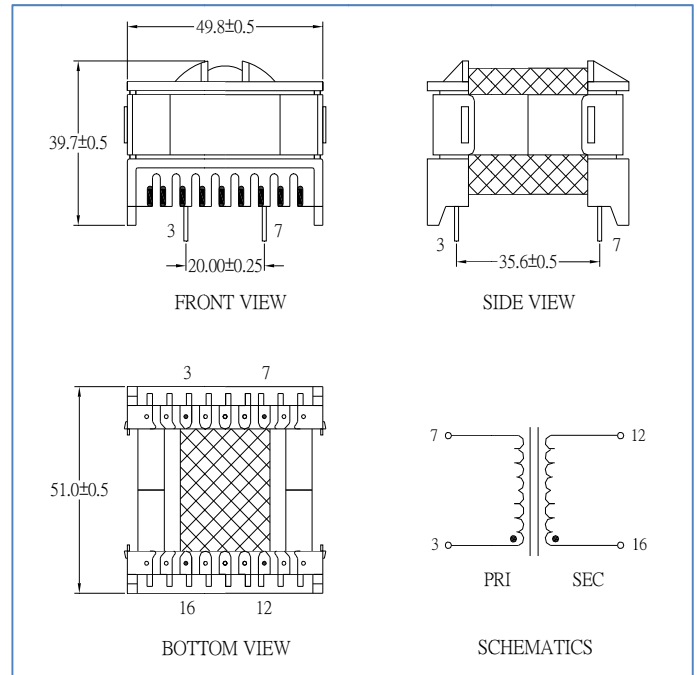


INTER OUTSTANDING ELECTRONICS

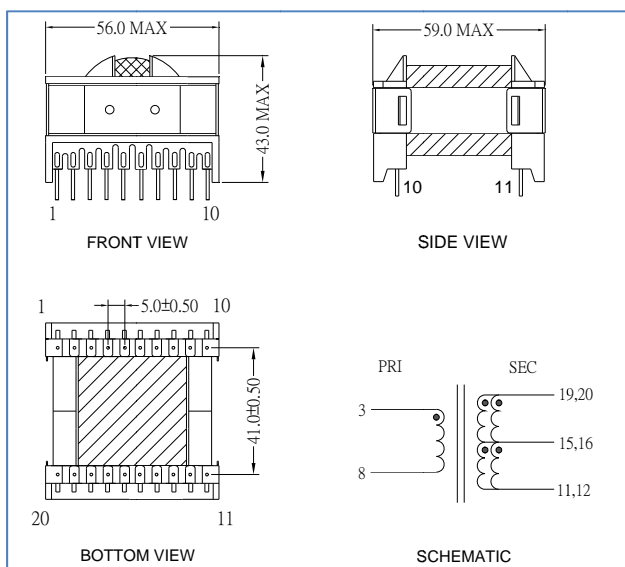
ETD39



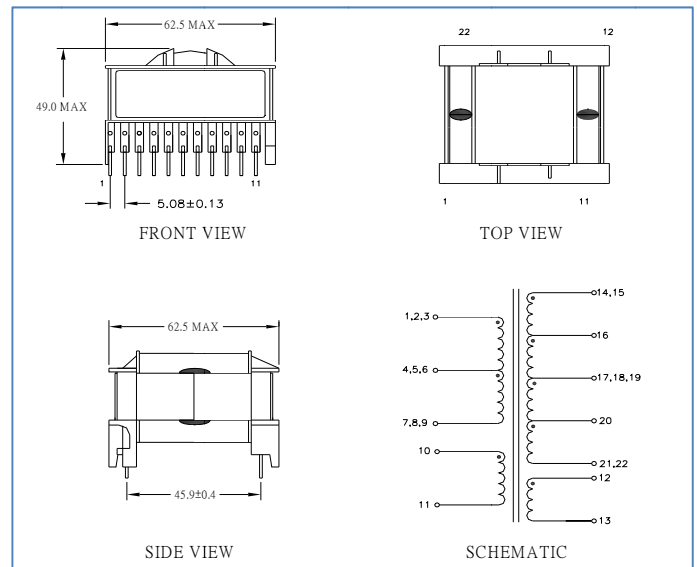
ETD44



ETD49



ETD54



Electronic characteristics can be designed per customer's request.

These data are for models selection. For detail specifications and customized requirement, please contact IOE