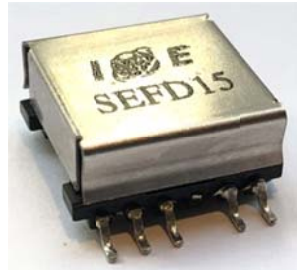
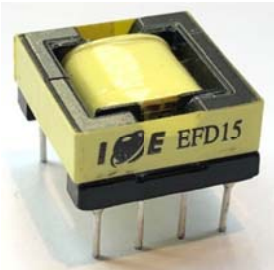


High Frequency Transformer - EFD Series



INTER OUTSTANDING ELECTRONICS



Features:

- Operating frequency: 20kHz ~ 500kHz
- Output power: 10W ~ 100W
- Operating temperature: -25°C to +125°C
- Storage temperature: -25°C to +85°C
- RoHS compliant
- Can be customized under customer's request

Models:

Part Number	Type	Pins
EFD15	DIP	8
EFD15	SMD	12
EFD20	DIP	8
EFD20	SMD	12
EFD25	DIP	10
EFD25	SMD	12
EFD30	DIP	12

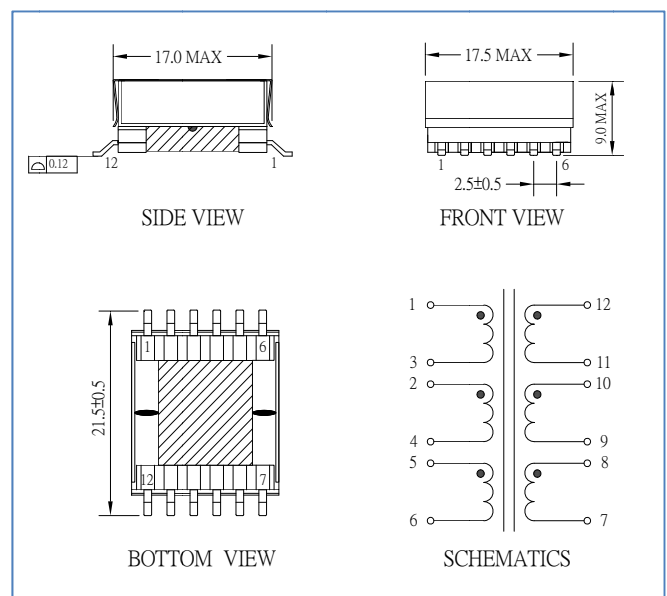
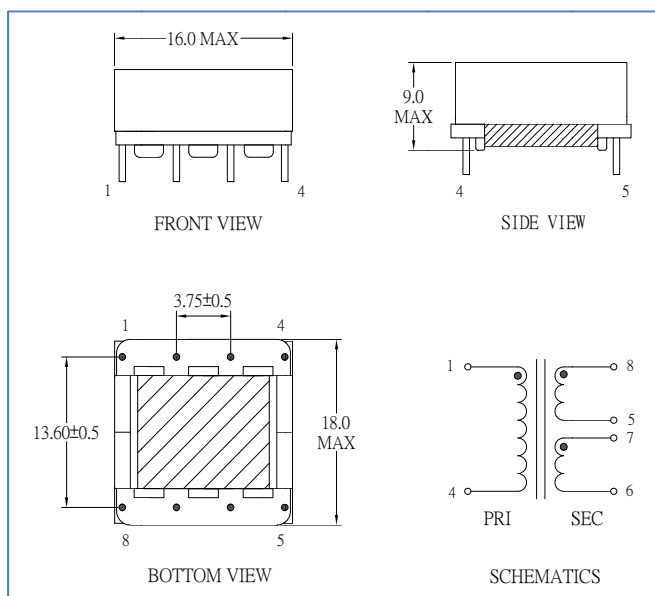
Applications:

- Switching mode power supply
- Industrial Equipment

Type: Please refer to Mechanical Details.
Can be customized base on materials acquired.

Mechanical Details:

EFD15



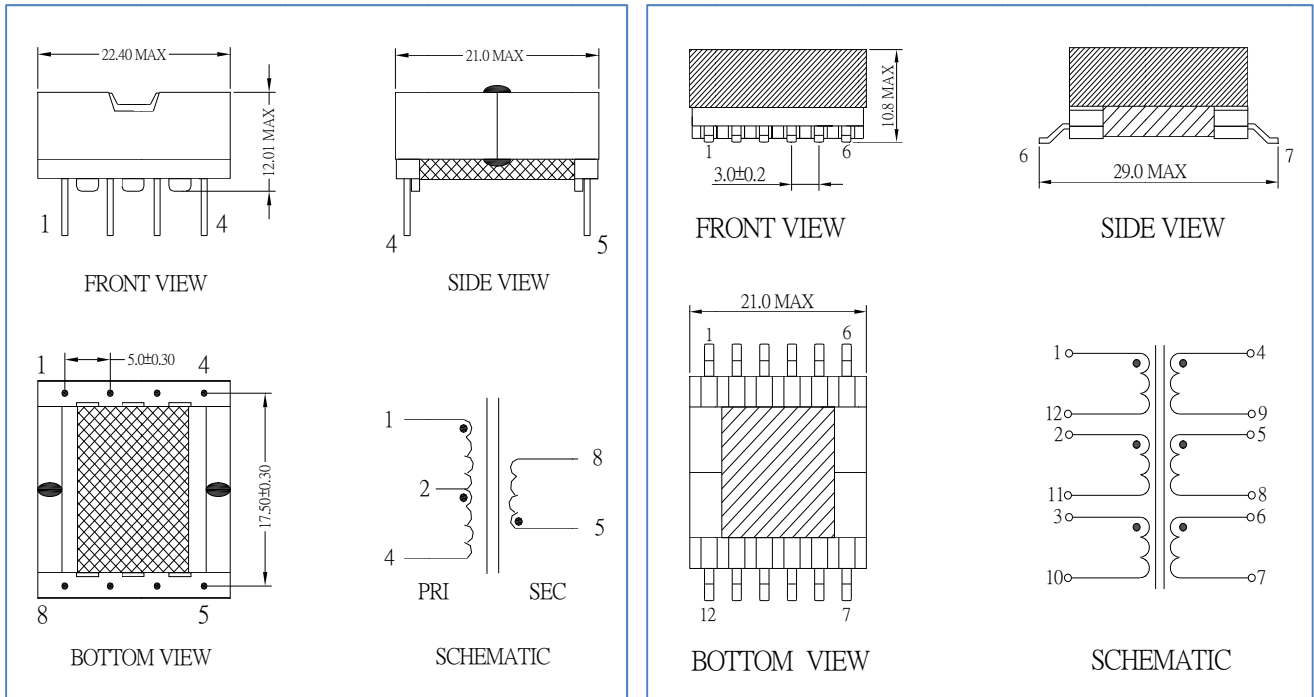
These data are for models selection. For detail specifications and customized requirement, please contact IOE

High Frequency Transformer - EFD Series

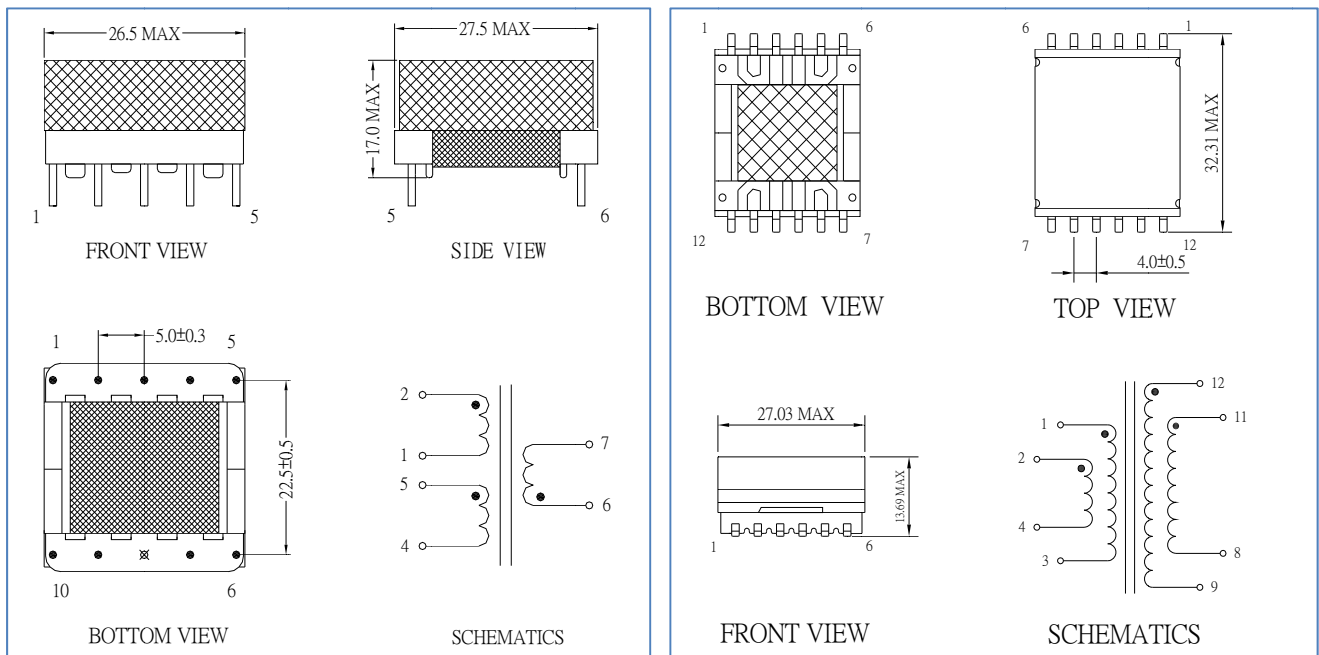


INTER OUTSTANDING ELECTRONICS

EFD20



EFD25



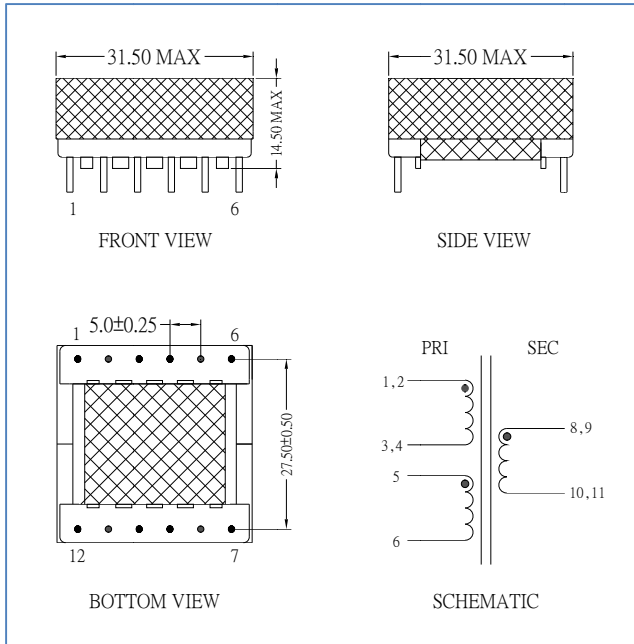
These data are for models selection. For detail specifications and customized requirement, please contact IOE

High Frequency Transformer - EFD Series

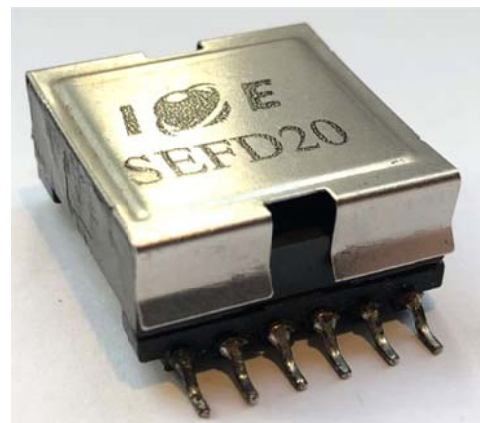
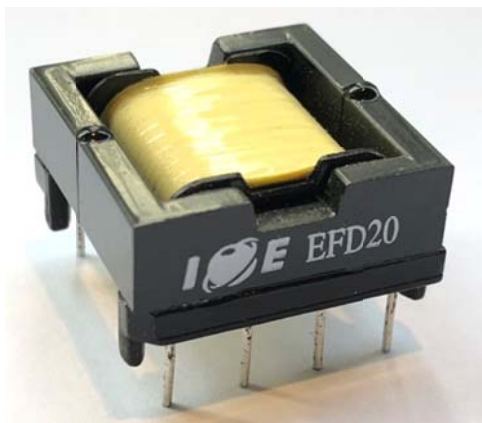


INTER OUTSTANDING ELECTRONICS

EFD30



Electronic characteristics can be designed per customer's request.



These data are for models selection. For detail specifications and customized requirement, please contact IOE