

High Current Toroid Inductor

INTER OUTSTANDING ELECTRONICS



- High current Capacity
- High inductance
- Mounted on VW-1 rated header
- Fixed pins for easy PCB insertion
- Operating temperature: -55°C TO 105°C
- RoHS compliant
- Can be customized under customer's request

Electrical Characteristics:

Part Number		Electrical Characteristics			
With header	No-header	L(uH) ±15% @1kHz	I(A) MAX	L(uH) TYP. load rated	DCR Ω MAX
I68A-100L-VB	I68A-100L-V	10.0	11.00	5	0.008
I68A-250-VB	I68A-250-V	25.0	5.50	12	0.014
I68A-1250L-VB	I68A-1250L-V	125.0	2.75	70	0.120
I68A-2750L-VB	I68A-2750L-V	275.0	2.00	150	0.240
I68A-451L-VB	I68A-451L-V	450.0	1.50	250	0.490
I90-250L-VB	I90-250L-V	25.0	9.00	15	0.012
I90-750L-VB	I90-750L-V	75.0	5.00	40	0.040
I90-401L-VB	I90-401L-V	400.0	2.25	225	0.330
I90-801L-VB	I90-801L-V	800.0	1.75	475	0.640
I90-102L-VB	I90-102L-V	1000.0	1.50	675	0.980
I106-500L-VB	I106-500L-V	50.0	9.50	25	0.012
I106-151L-VB	I106-151L-V	150.0	4.75	85	0.046
I106-701L-VB	I106-701L-V	700.0	2.25	400	0.420
I106-1251L-VB	I106-1251L-V	1250.0	1.75	750	0.850
I106-162L-VB	I106-162L-V	1600.0	1.50	950	1.270
I157-1250L-VB	I157-1250L-V	125.0	7.75	65	0.032
I157-501L-VB	I157-501L-V	500.0	4.00	275	0.150
I157-112L-VB	I157-112L-V	1100.0	2.50	650	0.330
I157-2251L-VB	I157-2251L-V	2250.0	1.75	1350	0.920
I157-452L-VB	I157-452L-V	4500.0	1.25	2700	2.640
I184-251L-VB	I184-251L-V	250.0	8.00	125	0.041
I184-901L-VB	I184-901L-V	900.0	3.75	500	0.175
I184-182L-VB	I184-182L-V	1800.0	2.50	1000	0.550
I184-402L-VB	I184-402L-V	4000.0	1.75	2100	1.160
I184-802L-VB	I184-802L-V	8000.0	1.00	4500	3.340
I50-250L-VB	I50-250L-V	25.0	2.50	16	0.040
I68A-350L-VB	I68A-350L-V	35.0	2.50	29	0.035
I68A-500L-VB	I68A-500L-V	50.0	2.50	35	0.060
I80-101L-VB	I80-101L-V	100.0	2.50	70	0.080
I80-700L-VB	I80-700L-V	70.0	3.00	50	0.050
I80-400L-VB	I80-400L-V	40.0	4.00	30	0.025

These data are for models selection. For detail specifications and customized requirement, please contact IOE

High Current Toroid Inductor

INTER OUTSTANDING ELECTRONICS

With header – Mechanical Details:

Spec. Series	A MAX	B MAX	C ±0.015	D ±0.015	E MAX	Fig
I68A-100L-VB	0.875	0.425	0.600	0.250	1.00	1
I68A-250L-VB	0.875	0.425	0.600	0.250	1.00	1
I68A-1250L-VB	0.875	0.425	0.600	0.250	1.00	1
I68A-2750L-VB	0.875	0.425	0.600	0.250	1.00	1
I68A-451L-VB	0.875	0.425	0.600	0.250	1.00	1
I90-250L-VB	1.125	0.600	0.800	0.400	1.25	2
I90-750L-VB	1.125	0.600	0.800	0.400	1.25	2
I90-401L-VB	1.125	0.600	0.800	0.400	1.25	2
I90-801L-VB	1.125	0.600	0.800	0.400	1.25	2
I90-102L-VB	1.125	0.600	0.800	0.400	1.25	2
I106-500L-VB	1.125	0.800	0.900	0.600	1.375	2
I106-151L-VB	1.125	0.800	0.900	0.600	1.375	2
I106-701L-VB	1.125	0.800	0.900	0.600	1.375	2
I106-1251L-VB	1.125	0.800	0.900	0.600	1.375	2
I106-162L-VB	1.125	0.800	0.900	0.600	1.375	2
I157-1250L-VB	1.812	0.900	1.200	0.700	1.95	2
I157-501L-VB	1.812	0.900	1.200	0.700	1.95	2
I157-112L-VB	1.812	0.900	1.200	0.700	1.95	2
I157-2251L-VB	1.812	0.900	1.200	0.700	1.95	2
I157-452L-VB	1.812	0.900	1.200	0.700	1.95	2
I184-251L-VB	2.125	1.100	1.500	0.900	2.25	2
I184-901L-VB	2.125	1.100	1.500	0.900	2.25	2
I184-182L-VB	2.125	1.100	1.500	0.900	2.25	2
I184-402L-VB	2.125	1.100	1.500	0.900	2.25	2
I184-802L-VB	2.125	1.100	1.500	0.900	2.25	2
I50-250L-VB	0.550	0.425	0.600	0.250	1.00	1
I68A-350L-VB	0.700	0.425	0.600	0.250	1.00	1
I68A-500L-VB	0.750	0.425	0.600	0.250	1.00	1
I80-101L-VB	0.850	0.425	0.600	0.250	1.00	1
I80-700L-VB	0.850	0.425	0.600	0.250	1.00	1
I80-400L-VB	0.850	0.425	0.600	0.250	1.00	1

Unit : inch

Fig 1.

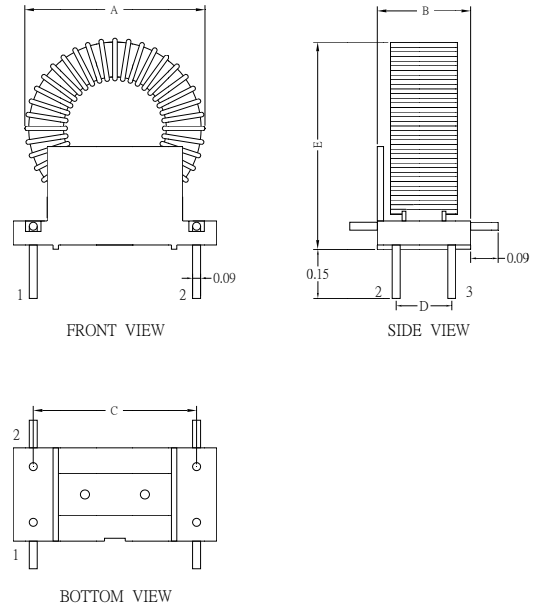
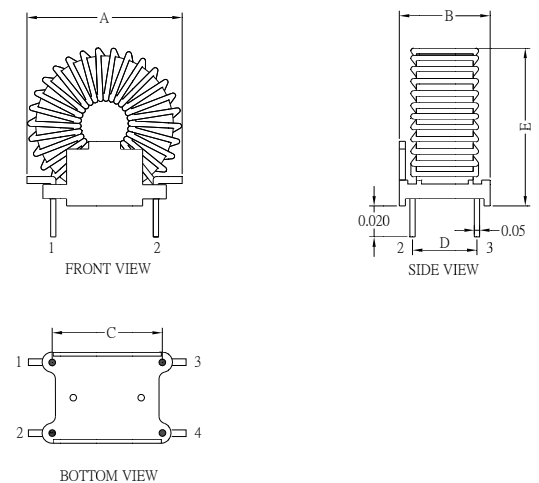


Fig 2.



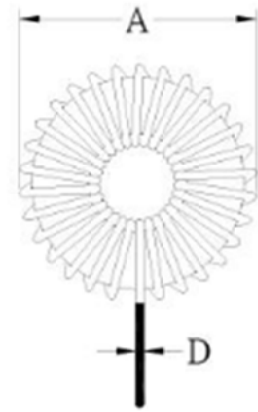
Electronic characteristics can be designed per customer's request.

High Current Toroid Inductor

INTER OUTSTANDING ELECTRONICS

No-header - Mechanical Details:

Spec. Series	A Nom.	B Nom.	C Nom.	D Min.
I68A-100L-V	0.875	0.437	0.320	0.064
I68A-250L-V	0.875	0.437	0.300	0.040
I68A-1250L-V	0.875	0.437	0.300	0.020
I68A-2750L-V	0.875	0.437	0.300	0.160
I68A-451L-V	0.875	0.437	0.300	0.012
I90-250L-V	1.125	0.562	0.450	0.064
I90-750L-V	1.125	0.562	0.420	0.036
I90-401L-V	1.125	0.562	0.420	0.018
I90-801L-V	1.125	0.562	0.420	0.015
I90-102L-V	1.125	0.562	0.400	0.012
I106-500L-V	1.125	0.625	0.530	0.064
I106-151L-V	1.125	0.625	0.500	0.036
I106-701L-V	1.125	0.625	0.500	0.018
I106-1251L-V	1.125	0.625	0.480	0.015
I106-162L-V	1.125	0.625	0.480	0.012
I157-1250L-V	1.812	0.750	0.680	0.064
I157-501L-V	1.812	0.750	0.650	0.032
I157-112L-V	1.812	0.750	0.650	0.025
I157-2251L-V	1.812	0.750	0.650	0.018
I157-452L-V	1.812	0.750	0.650	0.012
I184-251L-V	2.125	0.937	0.790	0.062
I184-901L-V	2.125	0.937	0.750	0.032
I184-182L-V	2.125	0.937	0.750	0.023
I184-402L-V	2.125	0.937	0.740	0.018
I184-802L-V	2.125	0.937	0.740	0.012
I50-250L-V	0.550	0.220	0.210	0.025
I68A-350L-V	0.700	0.320	0.300	0.020
I68A-500L-V	0.750	0.320	0.280	0.020
I80-101L-V	0.850	0.360	0.330	0.025
I80-700L-V	0.850	0.360	0.330	0.032
I80-400L-V	0.850	0.360	0.340	0.500



FRONT VIEW



SIDE VIEW

Unit : inch

Electronic characteristics can be designed per customer's request.

High Current Toroid Inductor

INTER OUTSTANDING ELECTRONICS

Electronic characteristics can be designed per customer's request.

UY80129PF



- Base material meets flammability requirements of UL 94V-0
- Mechanically rigid mount
- PC board — automatic insertability
- Lowest cost

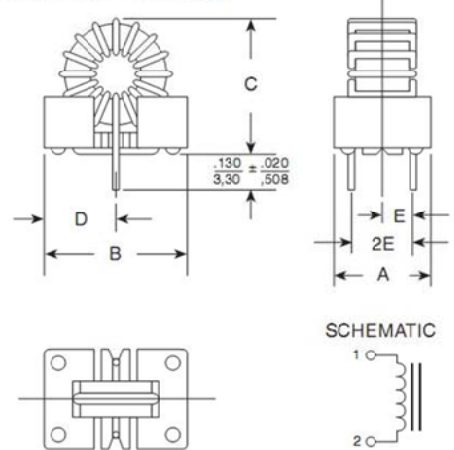
Standard Package	A	B	C	D	E
	Maximum			Typical	
KM-1	.340	.580	.650	.29	.110
	8,64	14,73	16,51	7,37	2,79
KM-2	.450	.650	.700	.325	.150
	11,43	16,51	17,78	8,26	3,81
KM-3	.450	.850	.950	.415	.150
	11,43	21,59	24,13	10,54	3,81
KM-4	.620	.970	1.10	.475	.225
	15,50	24,64	27,94	12,07	5,72
KM-5	.700	1.30	1.40	.625	.250
	17,78	33,02	35,56	15,88	6,35

Note: Units with large wire sizes may exceed B dimension.
 KLIPMOUNT™ is a trademark of Pulse Engineering, Inc.

Dimensions: $\frac{\text{Inches}}{\text{mm}}$ Unless otherwise specified, all tolerances are $\pm \frac{.010}{0,25}$

Mechanicals

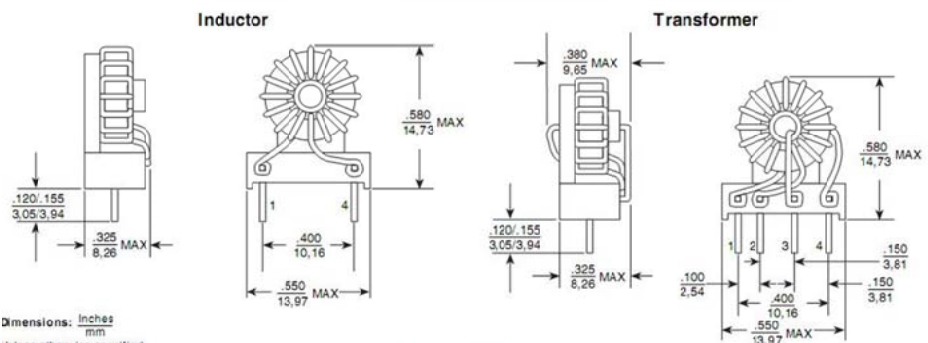
KlipMount™ Package



UY87946PF



Mechanicals



Dimensions: $\frac{\text{Inches}}{\text{mm}}$ Unless otherwise specified, all tolerances are $\pm \frac{.010}{0,25}$

Schematics

