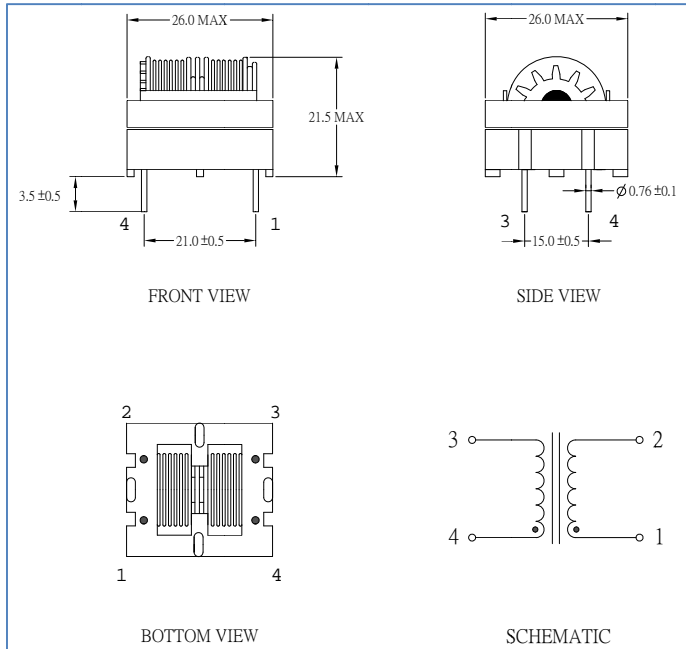


Line Filter – ET series

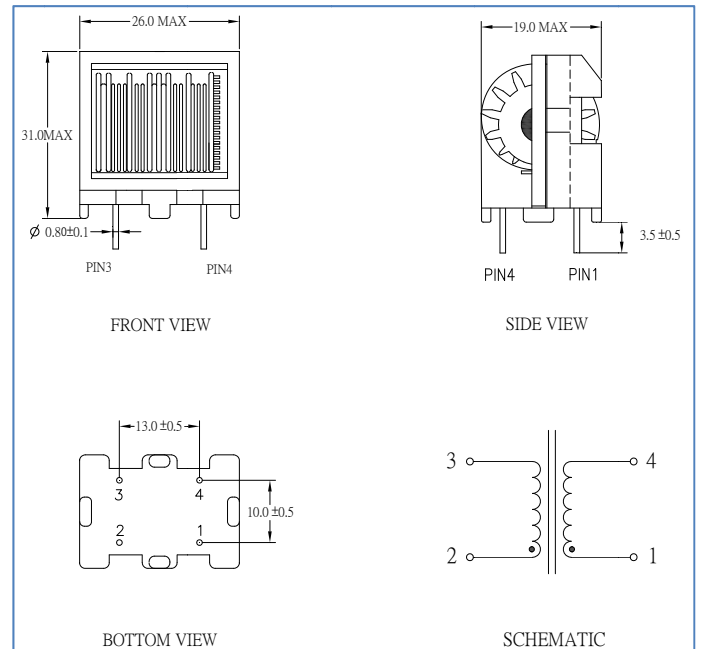


INTER OUTSTANDING ELECTRONICS

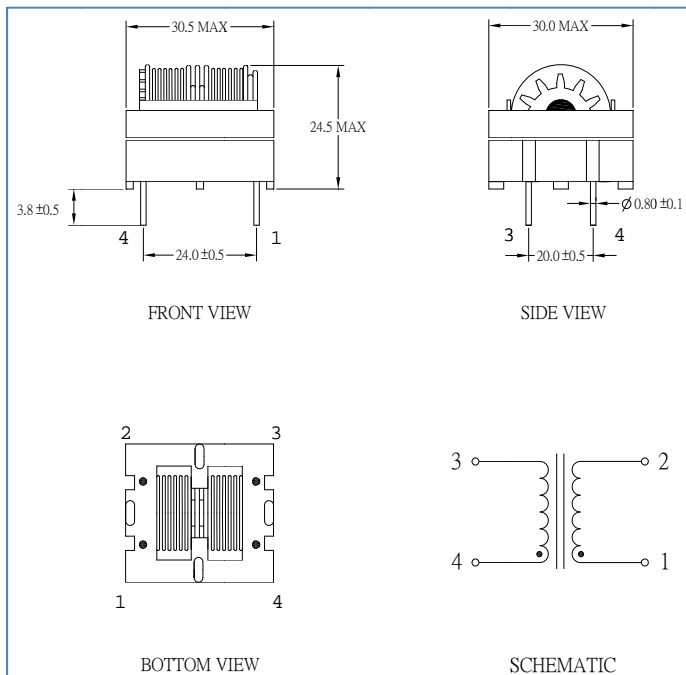
ET24H



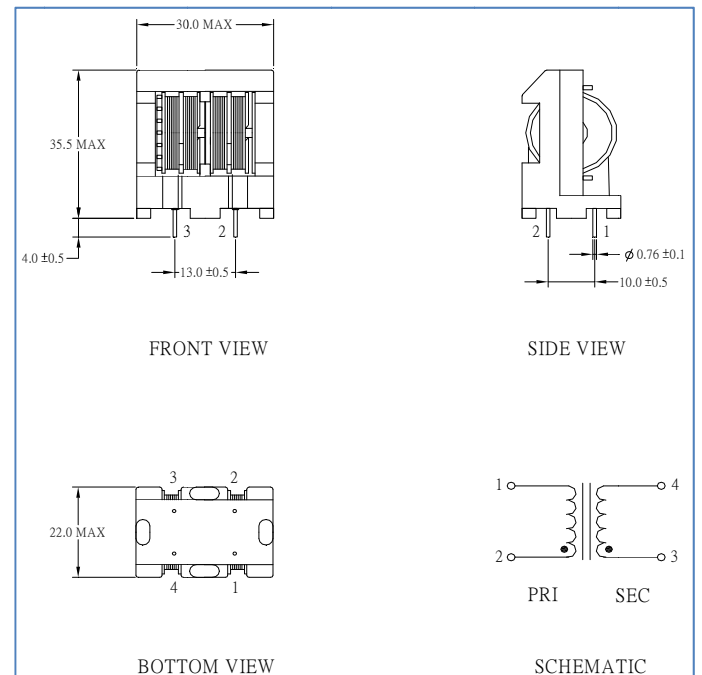
ET24V



ET28H



ET28V



Electronic Characteristics can be designed per customer's request.



These data are for models selection. For detail specifications and customized requirement, please contact IOE