

Current Transformer – IOT38V-903P (Capsule type)



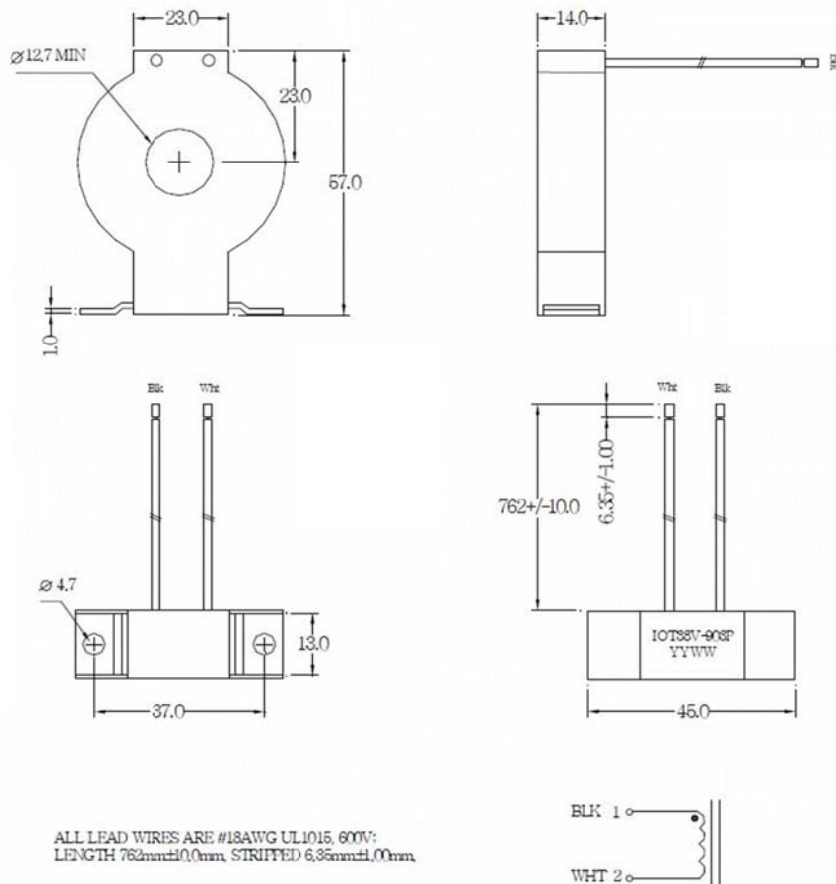
INTER OUTSTANDING ELECTRONICS



- INDUCTANCE: 90.0mH (REF.) AT 400Hz/1.0V
- DC RESISTANCE: 0.90Ω MAX.

Electronic Characteristics can be designed per customer's request.

Dimensions:



These data are for models selection. For detail specifications and customized requirement, please contact IOE